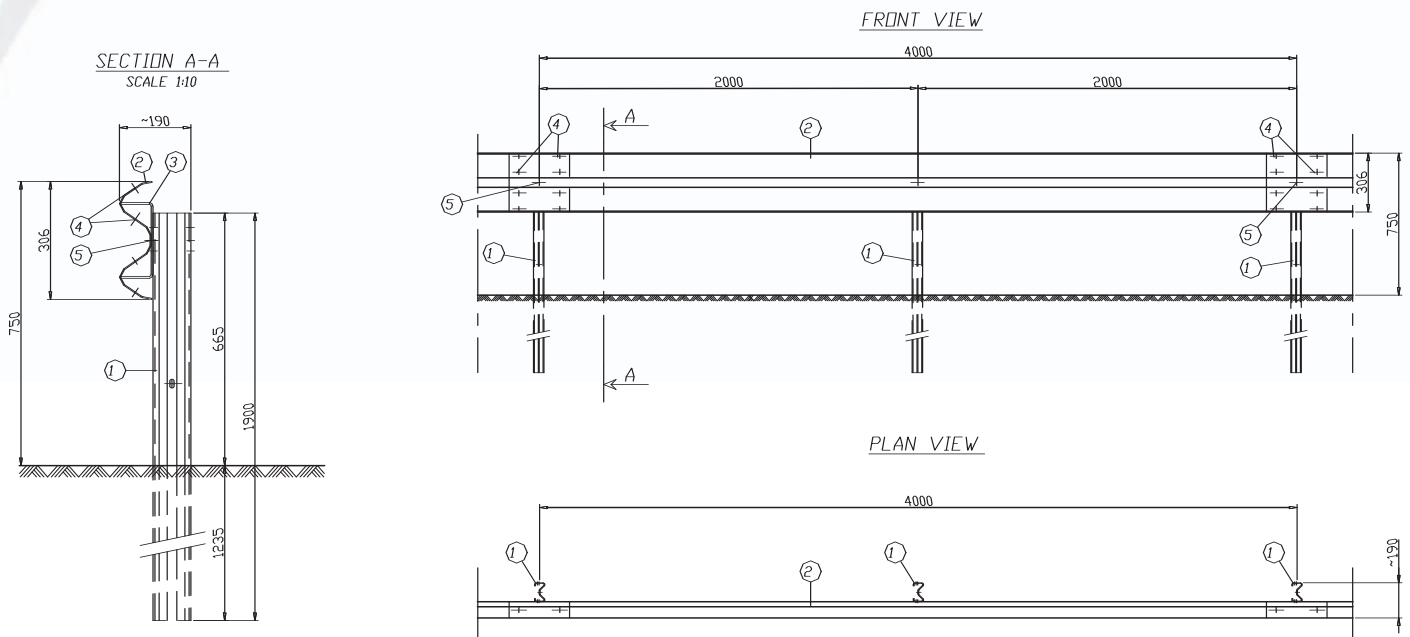


# crash barrier - esp 2.0

ESP 2.0 is a single sided barrier generally used in verges to protect against hazards 1.9m or over from the edge of carriageway.

- ❑ Containment Level N2
- ❑ Impact Severity A
- ❑ Working Width W4
- ❑ Post Spacing 2m
- ❑ Overall Height 0.75m

## ESP2.0 ACAD DRAWING



POS.	MATERIAL DESCRIPTION
1	SIGMA PDST 100x55x4,2 H=1900 mm
2	BEAM C/C.4000 mm TH.3 mm
3	SPACER *U*200x84x5 mm L=70 mm
4	BOLTS M16 CL. 4.6
5	BOLTS M10 CL. 4.6